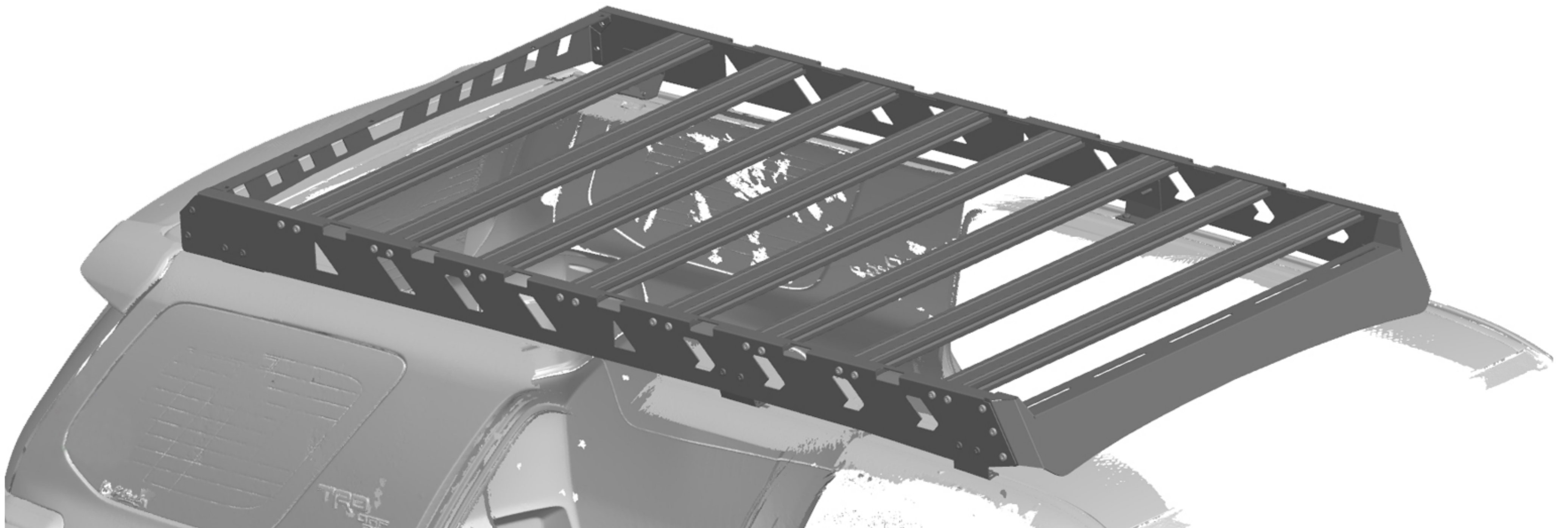


4 RUNNER ROOF RACK — A



CUSTOMER INFORMATION



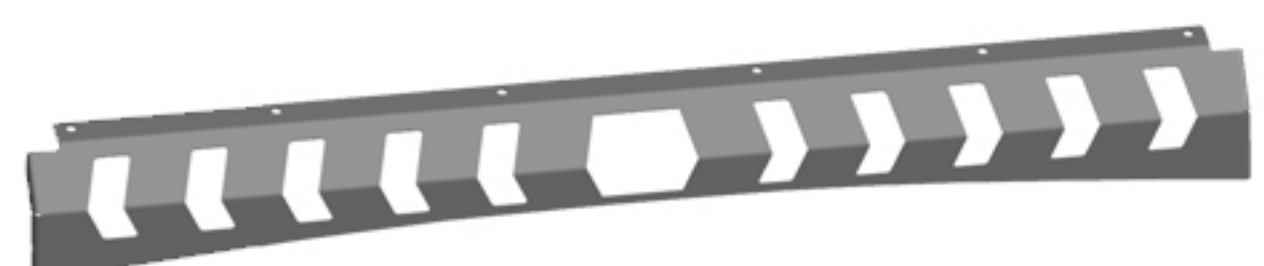

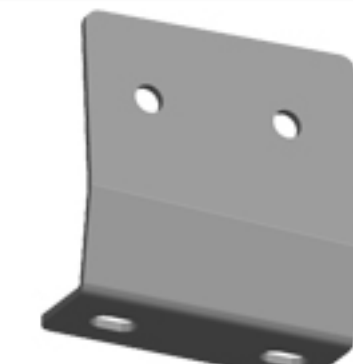

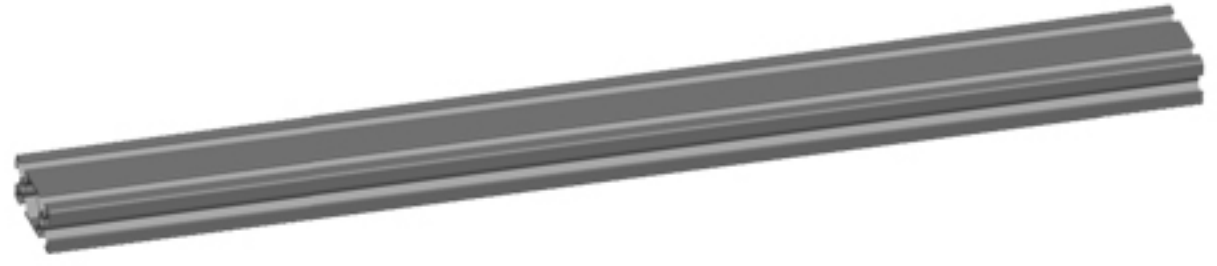
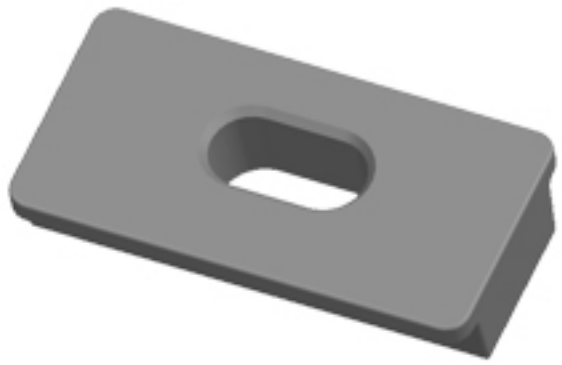
The information in this installation instruction is intended for use only by skilled technicians who have the proper tools, equipment, and training to correctly and safely add equipment to your vehicle. These procedures should not be attempted by "do-it-yourselfers."


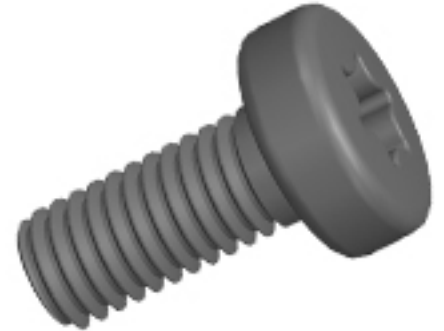
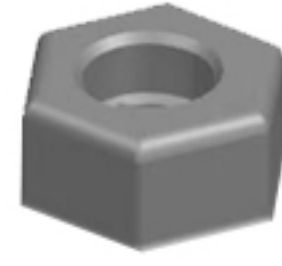




WARNING

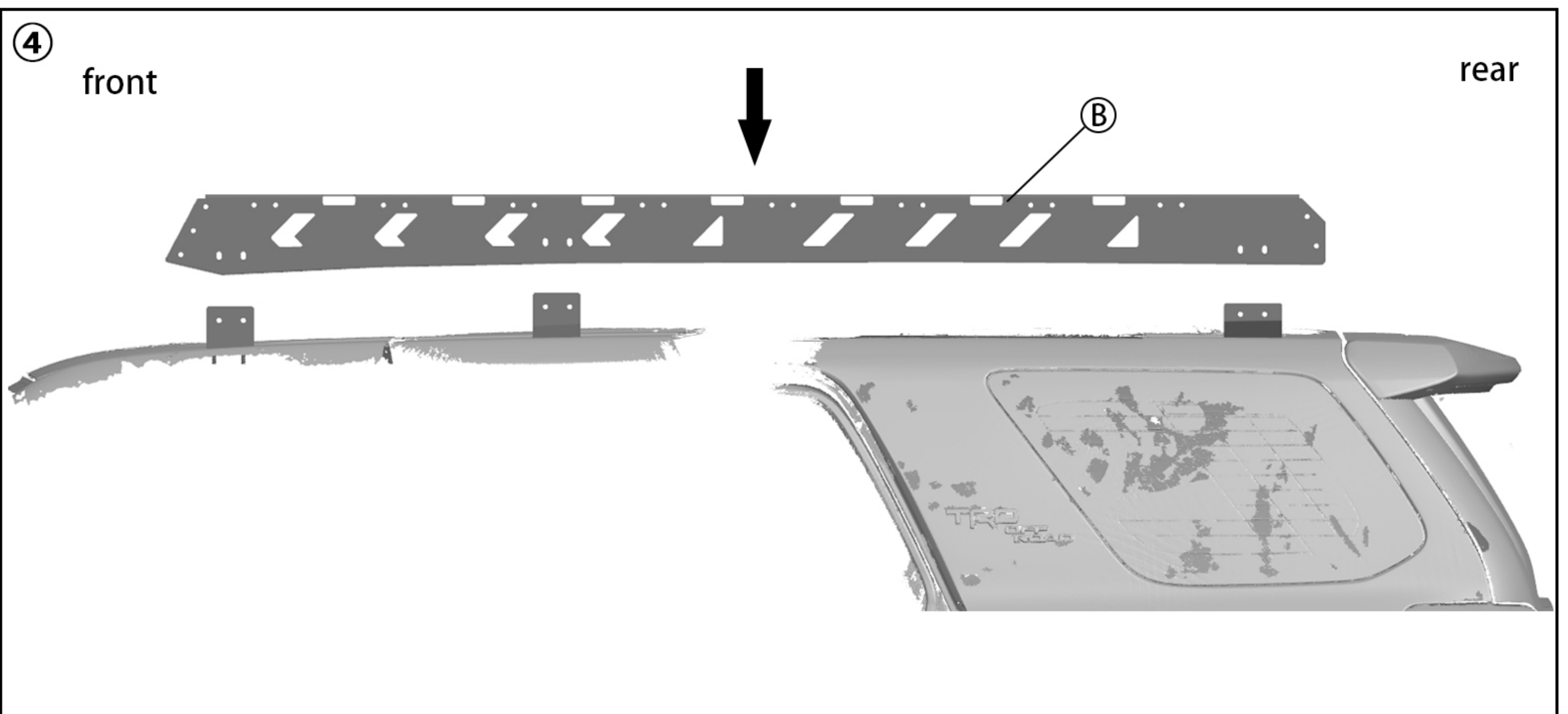
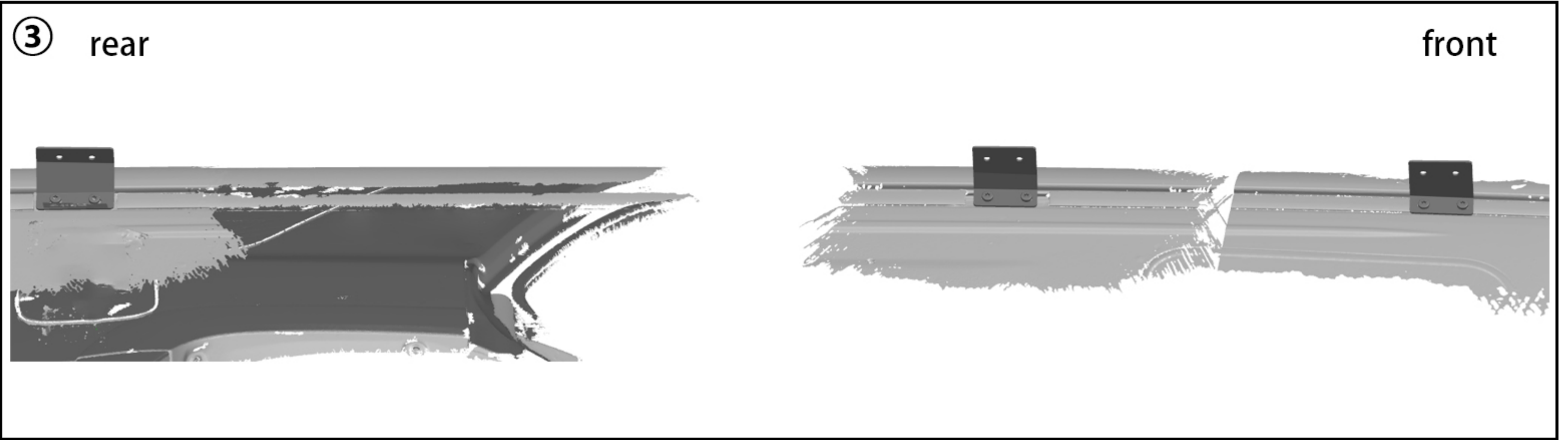
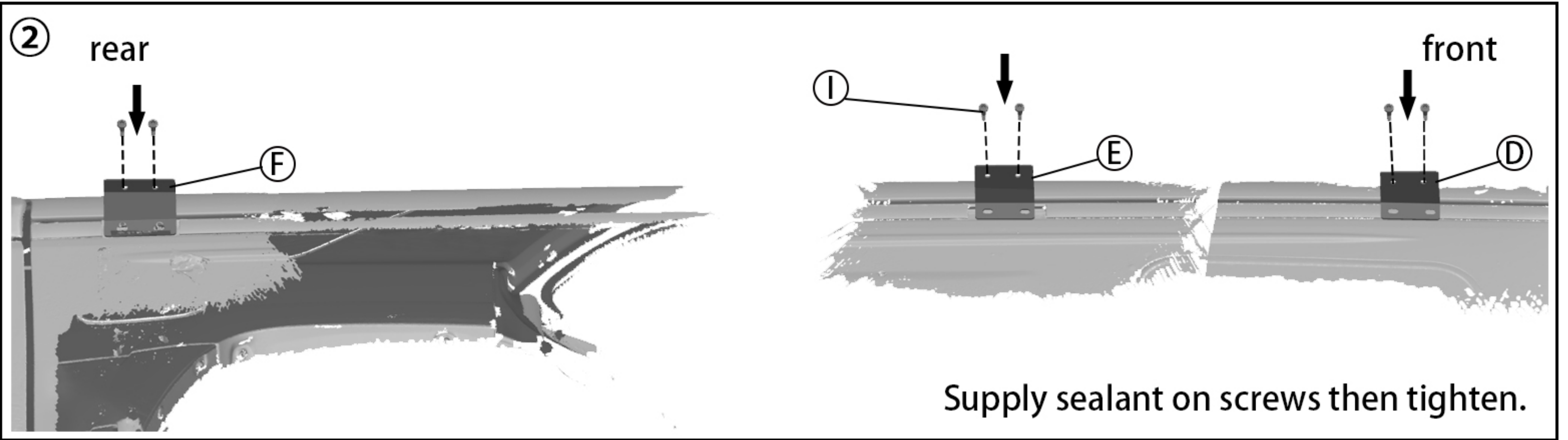
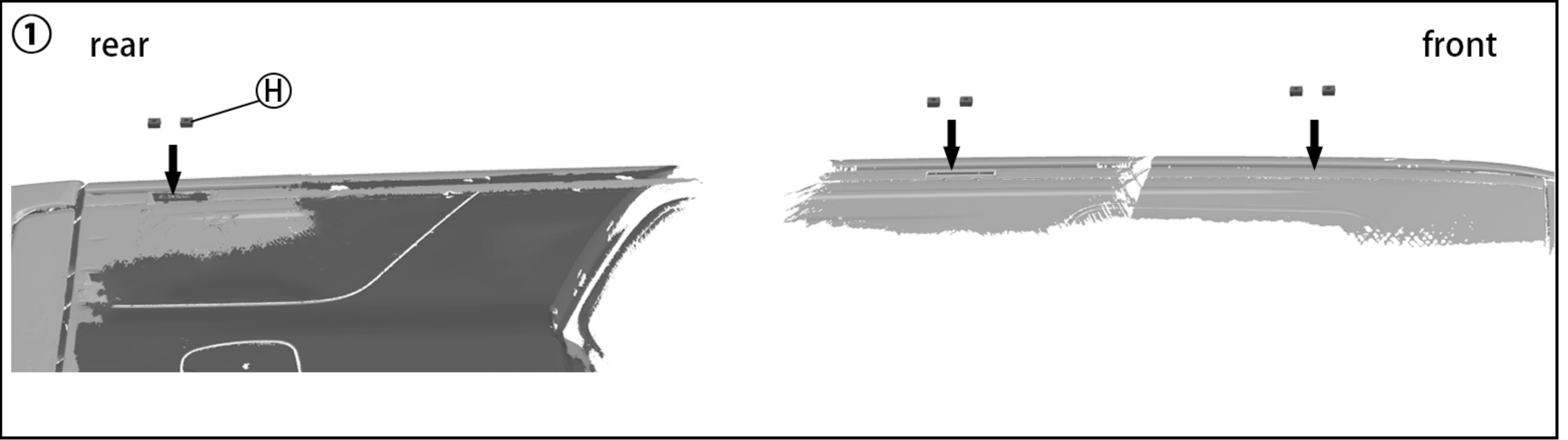
IT IS CRITICAL THAT ALL PRODUCTS BE PROPERLY AND SECURELY ASSEMBLED AND ATTACHED TO YOUR VEHICLE. IMPROPER ATTACHMENT COULD RESULT IN AN AUTOMOBILE ACCIDENT, AND COULD CAUSE SERIOUS BODILY INJURY OR DEATH. YOU ARE RESPONSIBLE FOR ASSEMBLING AND SECURING ALL FRONT RUNNER PRODUCTS TO YOUR VEHICLE, CHECKING THE ATTACHMENTS PRIOR TO USE, AND PERIODICALLY INSPECTING THE PRODUCTS FOR ADJUSTMENT, WEAR AND DAMAGE. THEREFORE, YOU MUST READ AND UNDERSTAND ALL OF THE INSTRUCTIONS AND PRECAUTIONS SUPPLIED WITH YOUR PRODUCT PRIOR TO INSTALLATION OR USE. IF YOU DO NOT UNDERSTAND ALL OF THE INSTRUCTIONS AND CAUTIONS, OR IF YOU HAVE NO MECHANICAL EXPERIENCE AND ARE NOT THOROUGHLY FAMILIAR WITH THE INSTALLATION PROCEDURES, YOU SHOULD HAVE THE PRODUCT INSTALLED BY A PROFESSIONAL INSTALLER OR OTHER QUALIFIED PERSONNEL.

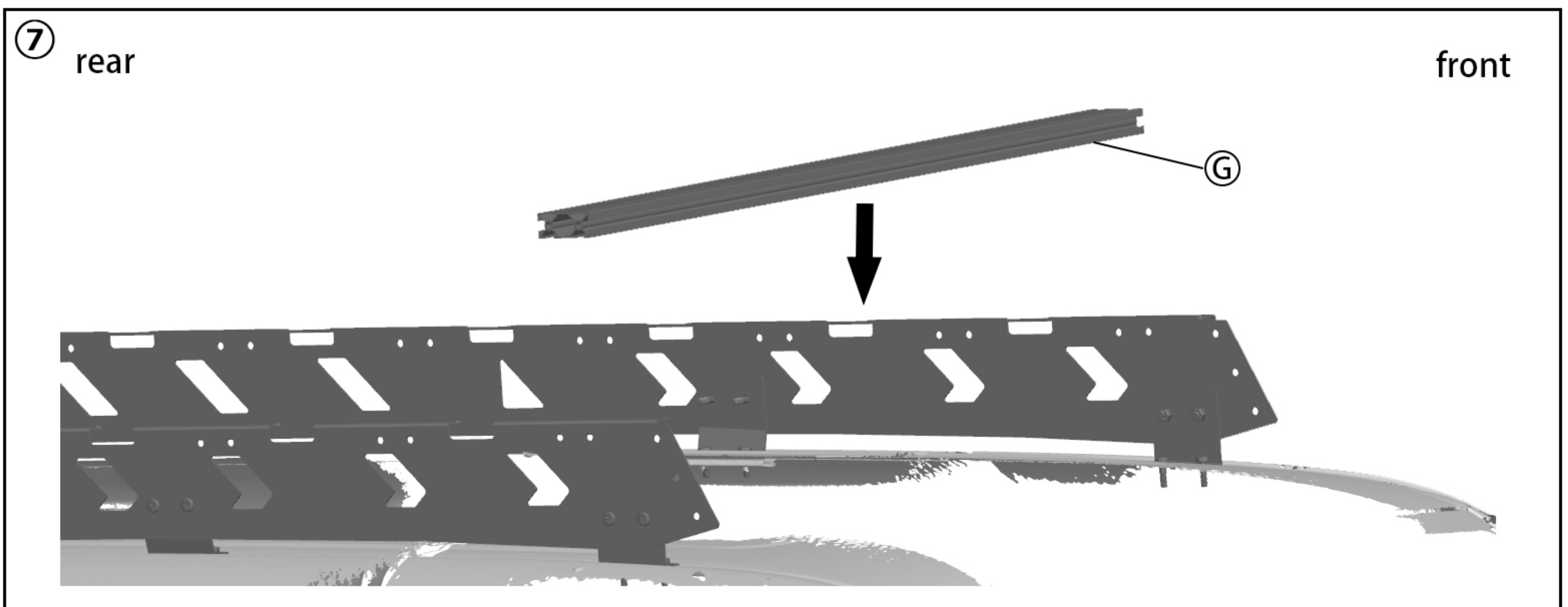
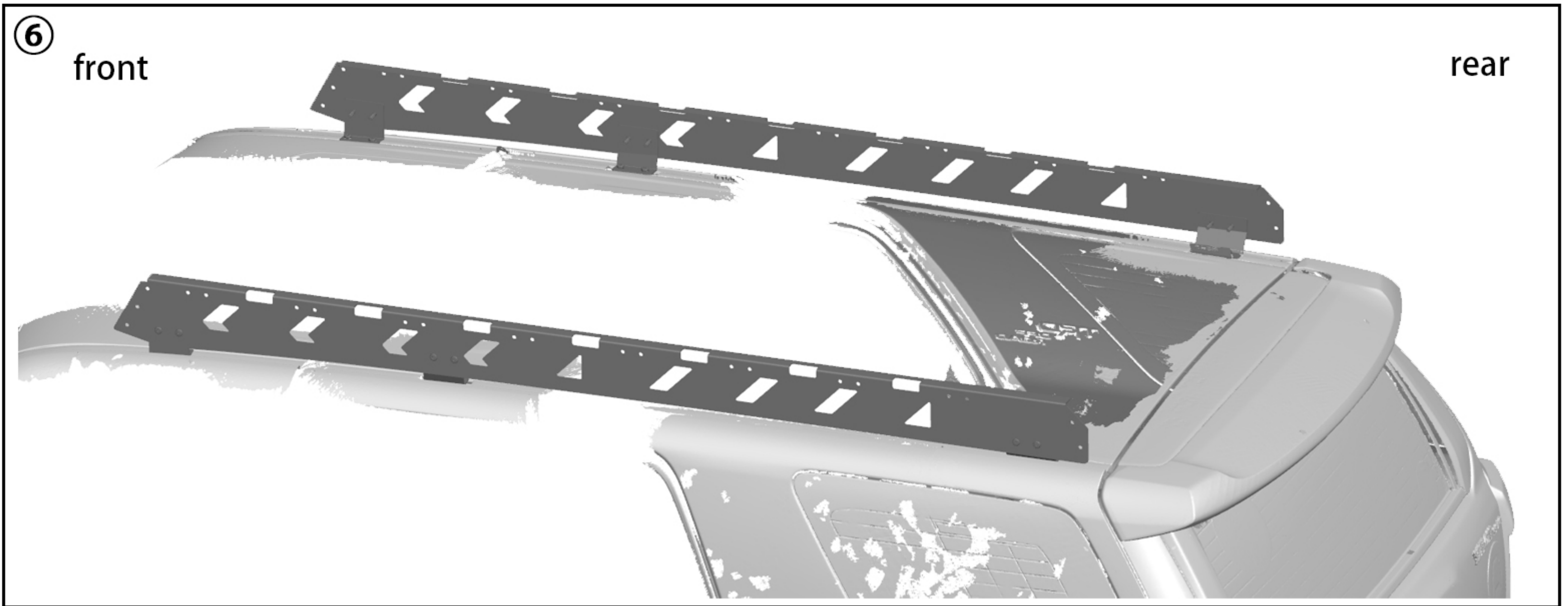
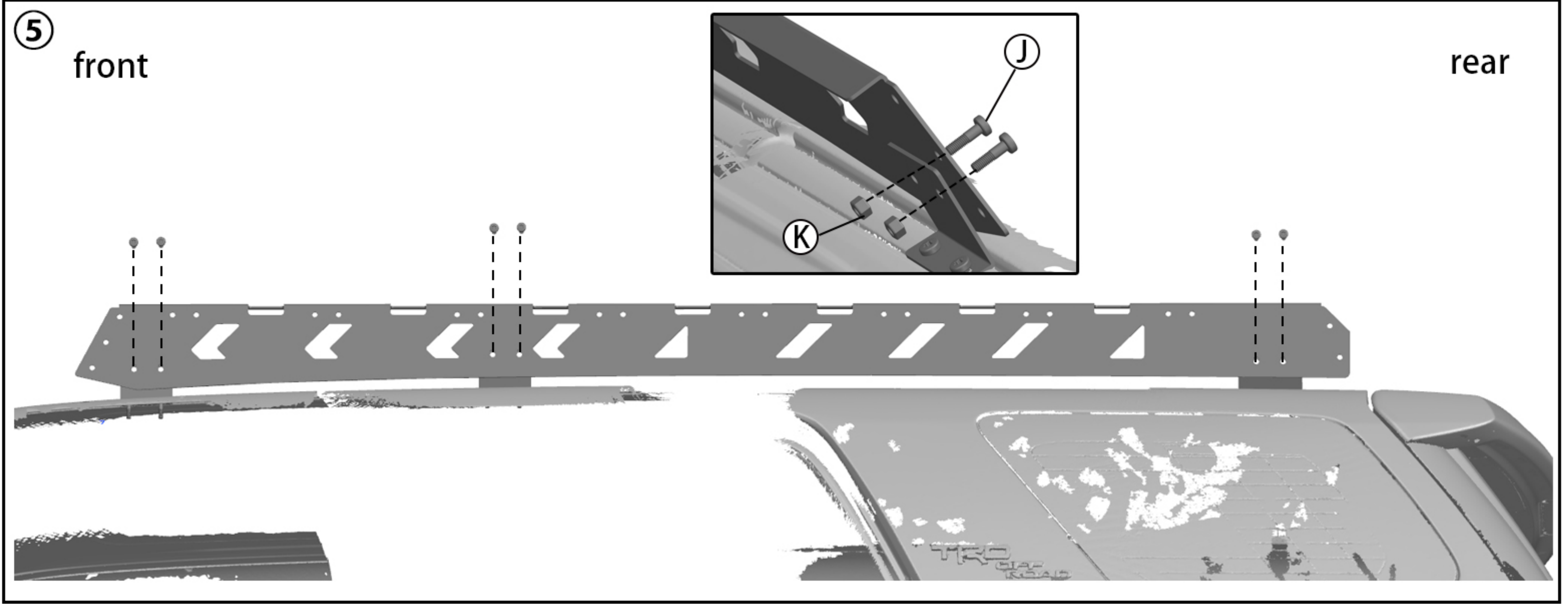
NOTE: we will not be responsible for any damage caused by the failure to install the product according to these instructions. Please contact us if you have any questions about the installation of this product.

PARTS LIST

parts No.	picture	pcs
Ⓐ		1
Ⓑ		Lx1 Rx1
Ⓒ		1
Ⓓ		FLx1 FRx1
Ⓔ		MLx1 MRx1
Ⓕ		RLx1 RRx1
Ⓖ		8
Ⓗ		12

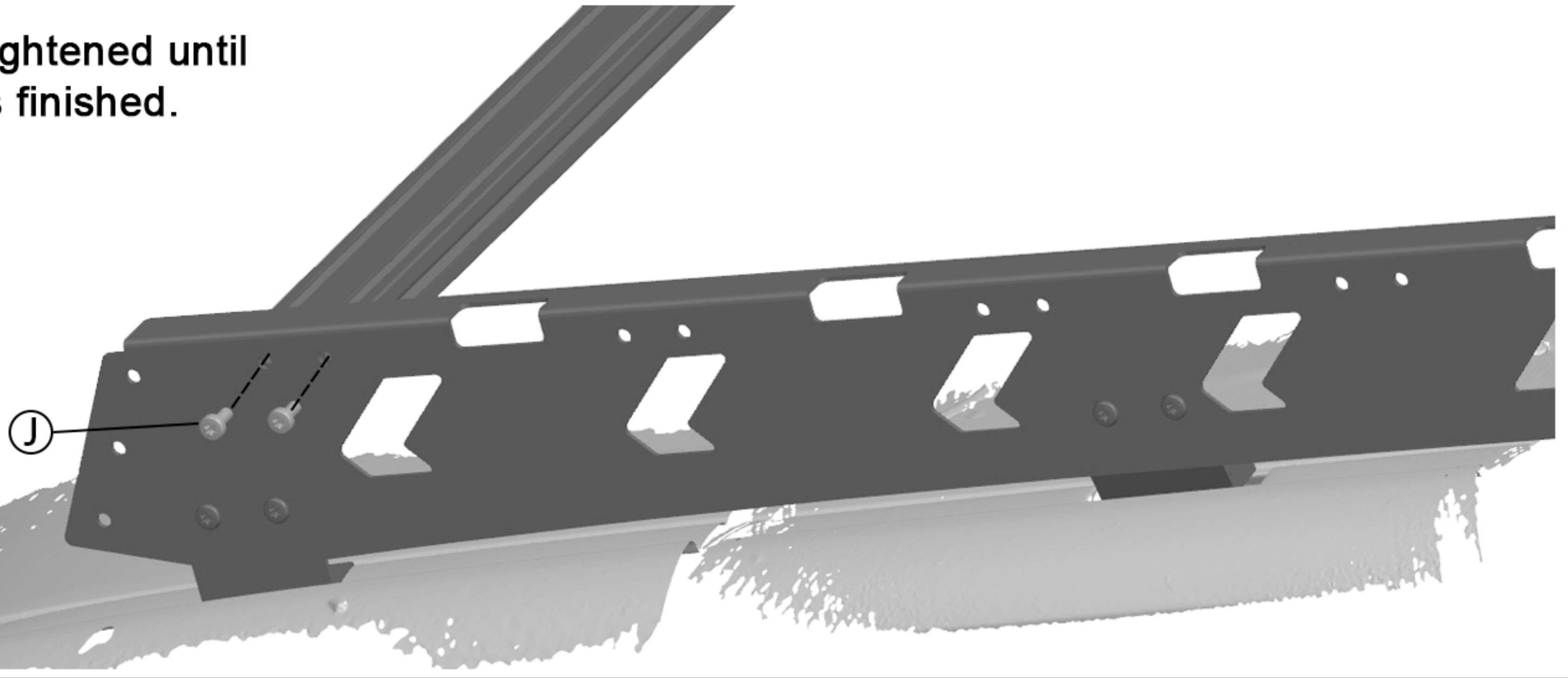
parts No.	picture	pcs
Ⓘ	 M8*50	12
Ⓙ	 M8*20	54
Ⓚ	 M8	22
Ⓛ	 M8	54
Ⓜ	 M8	54
Ⓝ	 T45	1
Ⓟ		1





⑧ front of the vehicle

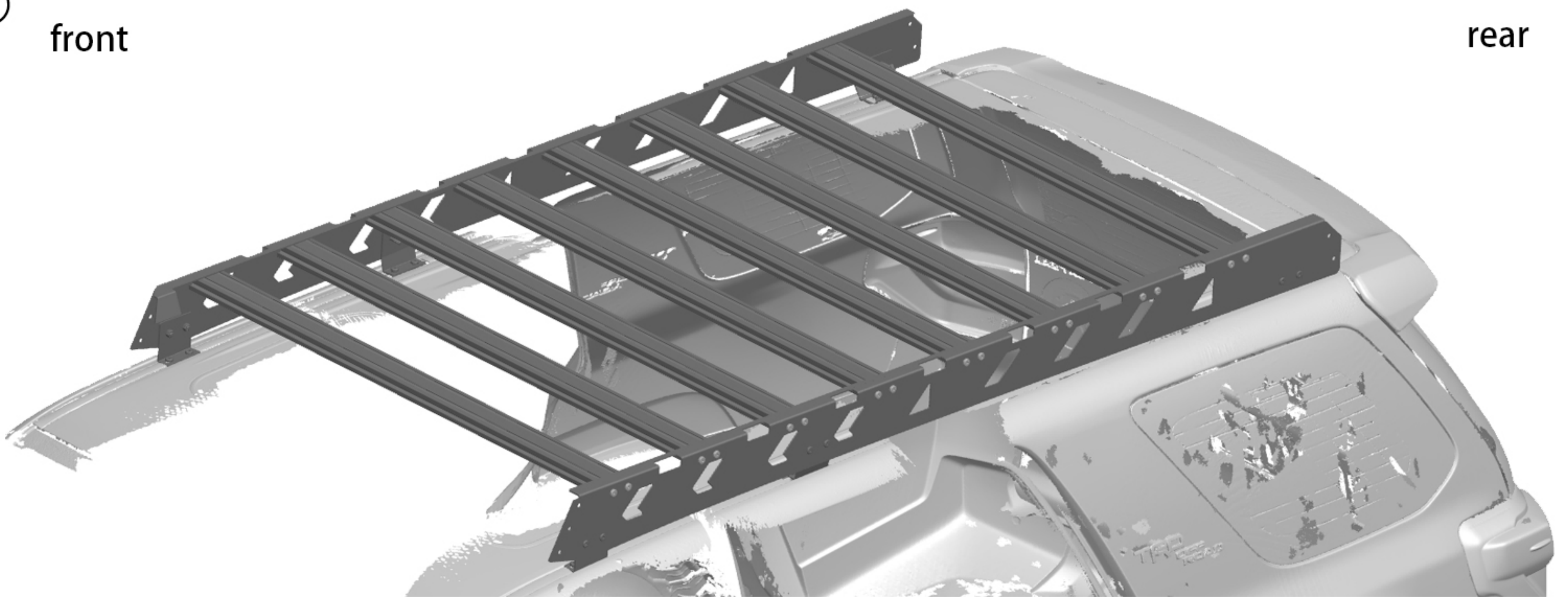
Don't fully tightened until all the steps finished.



⑨

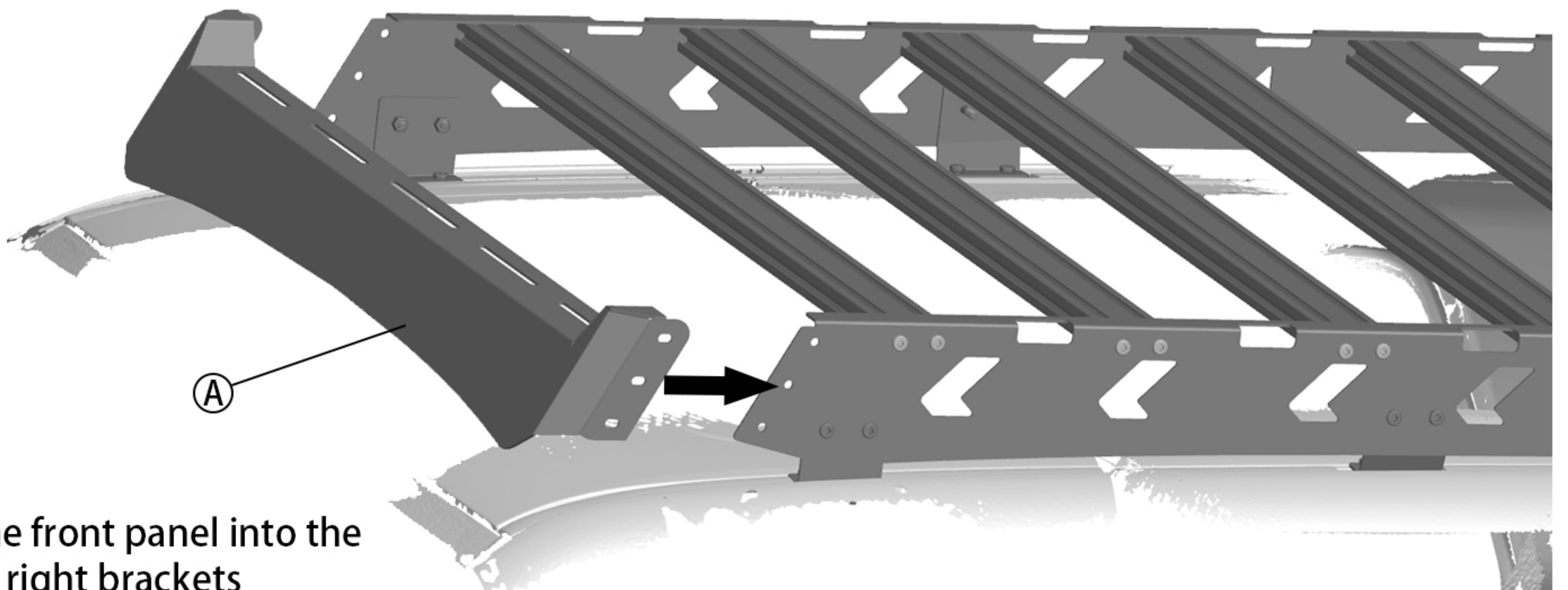
front

rear

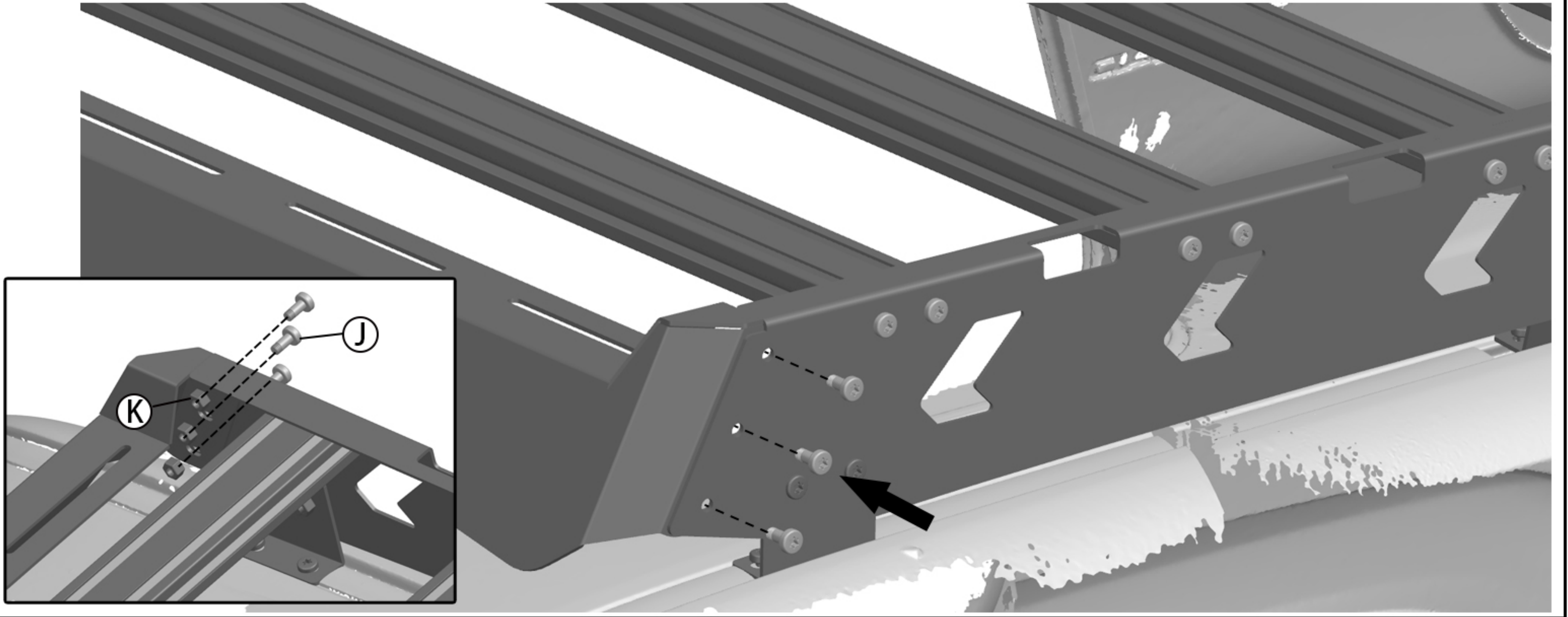


⑩ front of the vehicle

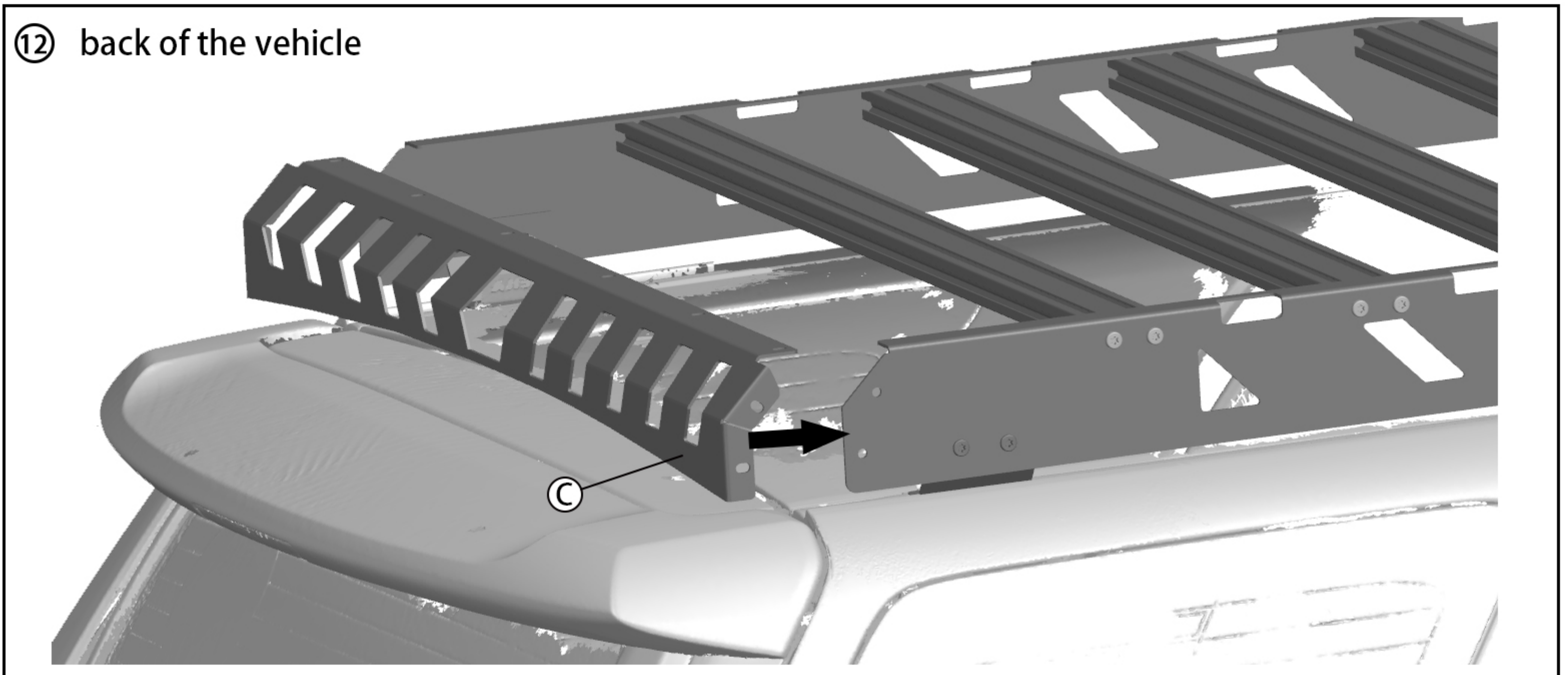
Place the front panel into the left and right brackets



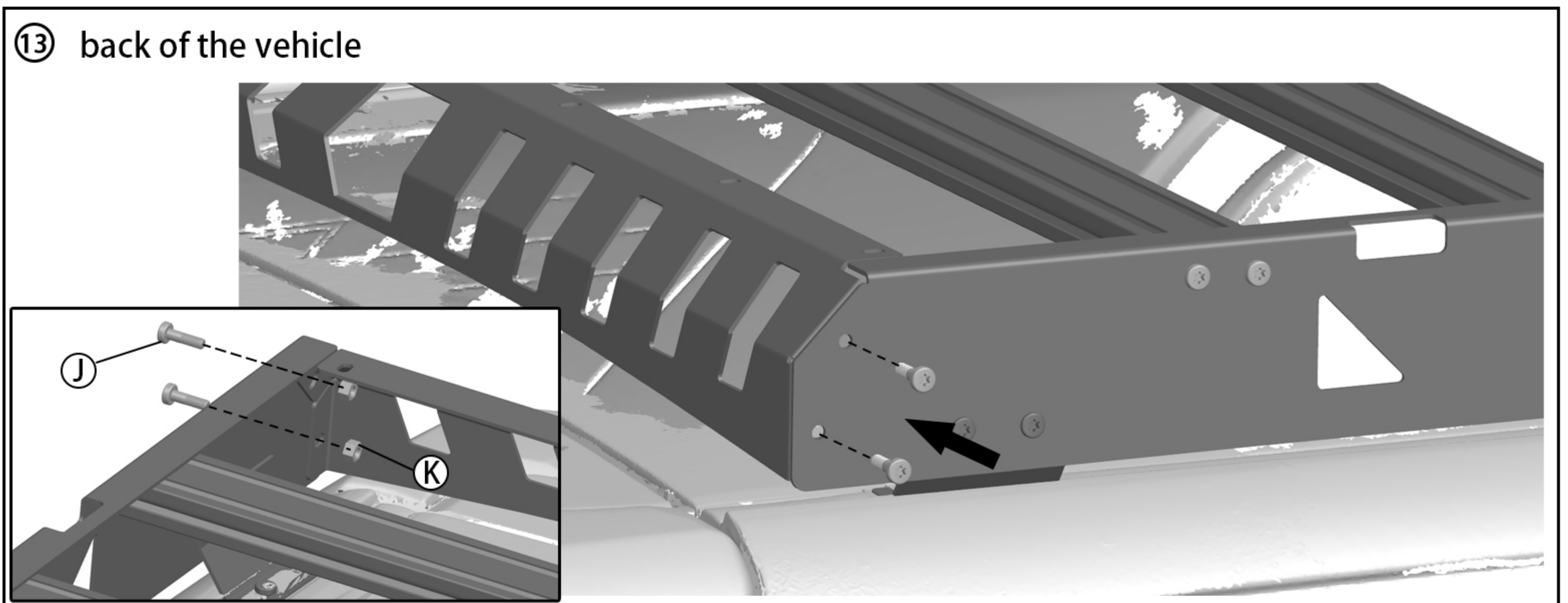
⑪ front of the vehicle



⑫ back of the vehicle



⑬ back of the vehicle



14

rear

front

Fully tighten all the screws.

