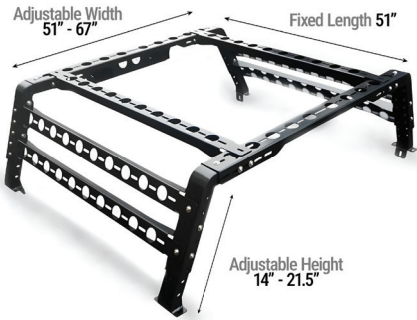


Bed Racks Comparison

Versa Universal Truck Bed Rack



Static Load:
1102 lbs

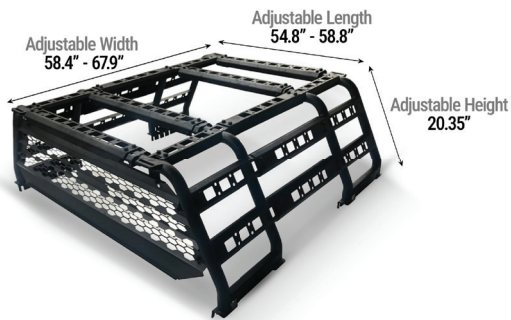


Dynamic Load:
661 lbs



UNIVERSAL OR TRUCK SPECIFIC	UNIVERSAL
Package (IN)	49.6 x 16.9 x 7
G.W.	94.7 lbs
BOX QTY OF 1 SET	1
Loading Capacity	Static: 1102 lbs Dynamic: 661 lbs
Fit with bed cover?	No
Need to drill hole on car?	Yes
Material	Steel+ powder coated
Corrosion-resistant	Yes
Will it fit if the bed liner is installed?	Need to cut the hole on the bed liner to fix the screws of bed racks.

Endura Universal Truck Bed Rack System



Static Load:
661 lbs

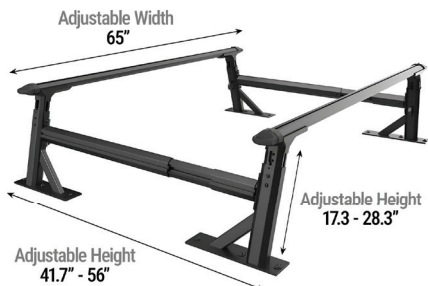


Dynamic Load:
441 lbs



UNIVERSAL OR TRUCK SPECIFIC	UNIVERSAL
Package (IN)	61 x 22.8 x 18.9
G.W.	183 lbs
BOX QTY OF 1 SET	1
Loading Capacity	Static: 661 lbs Dynamic: 441 lbs
Fit with bed cover?	No
Need to drill hole on car?	"YES But if truck is with tonneau cover with slide slot, don't need drill hole on the car"
Material	Steel+ powder coated
Corrosion-resistant	Yes
Will it fit if the bed liner is installed?	Yes, it is flat mount, no relation to the bed liner.

Horizon Hauler Universal Truck Bed Rack



Static Load:
551 lbs



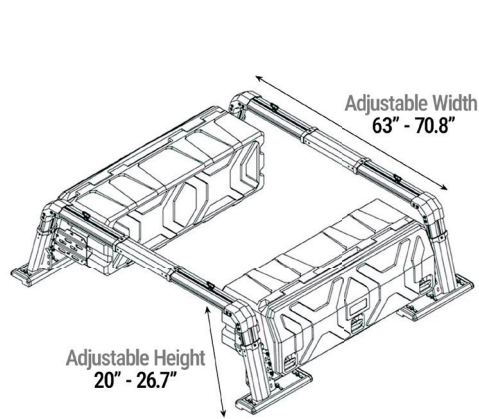
Dynamic Load:
330 lbs



UNIVERSAL OR TRUCK SPECIFIC	UNIVERSAL
Package (IN)	67.7 x 18.9 x 7.5
G.W.	77 lbs
BOX QTY OF 1 SET	1
Loading Capacity	Static: 551 lbs Dynamic: 330 lbs
Fit with bed cover?	Yes, it can fit if the bed cover is retractable tonneau cover with slide slot.
Need to drill hole on car?	NO
Material	Steel+ powder coated
Corrosion-resistant	Yes
Will it fit if the bed liner is installed?	Yes, need to cut the installation area for bed rack on the bed liner. But if install bed rack on retractable bed cover, don't need to cut the bed liner.

Bed Racks Comparison

Overland Pod Truck Bed Rack System Small & Large



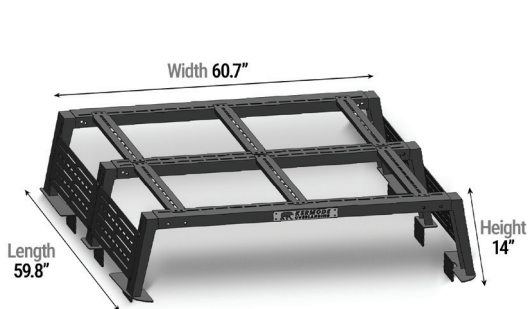
Static Load:
551 lbs

Dynamic Load:
330 lbs



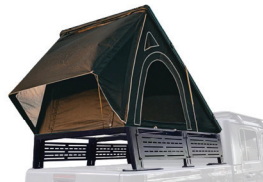
UNIVERSAL OR TRUCK SPECIFIC	"The structure is universal, but if with storage box, you will need to consider the truck, cause the length and height of the box is fixed. There are box of 95L & 130L boxes."	
Package (IN)	42.1 x 21.2 x 13.7	47.2 x 8.6 x 5.3
G.W.	82.6 lbs	22 lbs
BOX QTY OF 1 SET	1	
Loading Capacity	Static: 551 lbs Dynamic: 330 lbs	
Fit with bed cover?	Yes, it can fit if the bed cover is retractable tonneau cover with slide slot.	
Need to drill hole on car?	NO	
Material	Steel+ powder coated	
Corrosion-resistant	Yes	
Will it fit if the bed liner is installed?	Yes, need to cut the installation area for bed rack on the bed liner. But if install bed rack on retractable bed cover, don't need to cut the bed liner.	

Gladiator Bed Rack



Static Load:
441 lbs

Dynamic Load:
330 lbs



UNIVERSAL OR TRUCK SPECIFIC	Jeep Gladiator Specific	
Package (IN)	57 x 11.4 x 7.5	40.9 x 21.6 x 9
G.W.	90 lbs	51.8 lbs
BOX QTY OF 1 SET	2	
Loading Capacity	Static: 441 lbs Dynamic: 330 lbs	
Fit with bed cover?	NO	
Need to drill hole on car?	NO, jeep gladiator-specific	
Material	Steel+ powder coated	
Corrosion-resistant	Yes	
Will it fit if the bed liner is installed?	Yes, need to cut the installation area for bed rack on the bed liner.	

