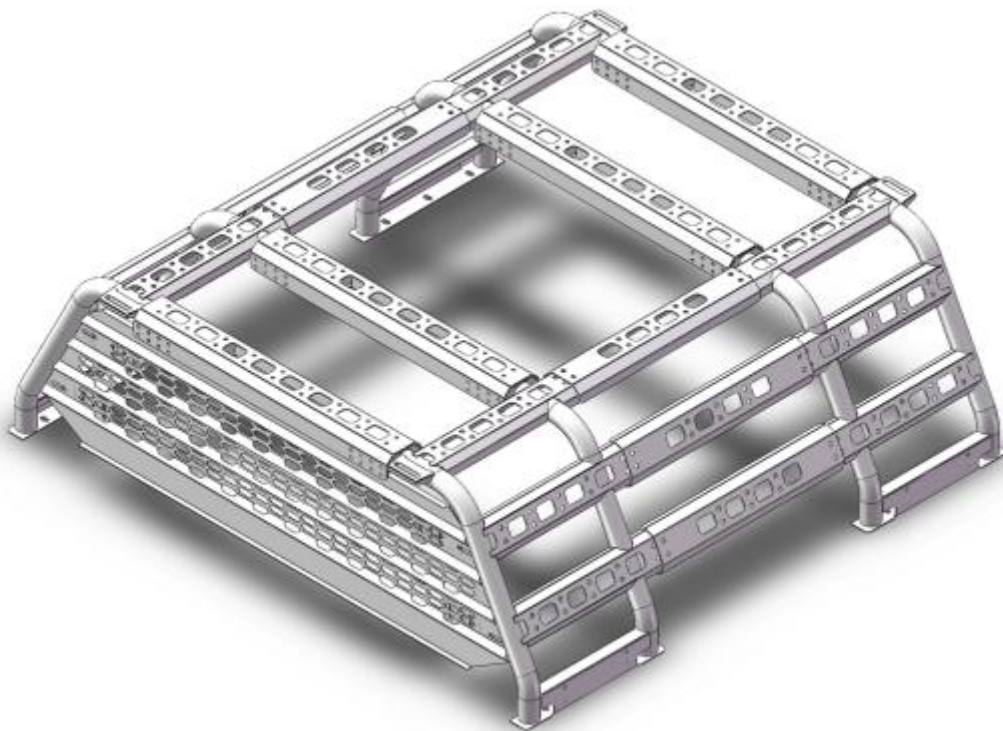
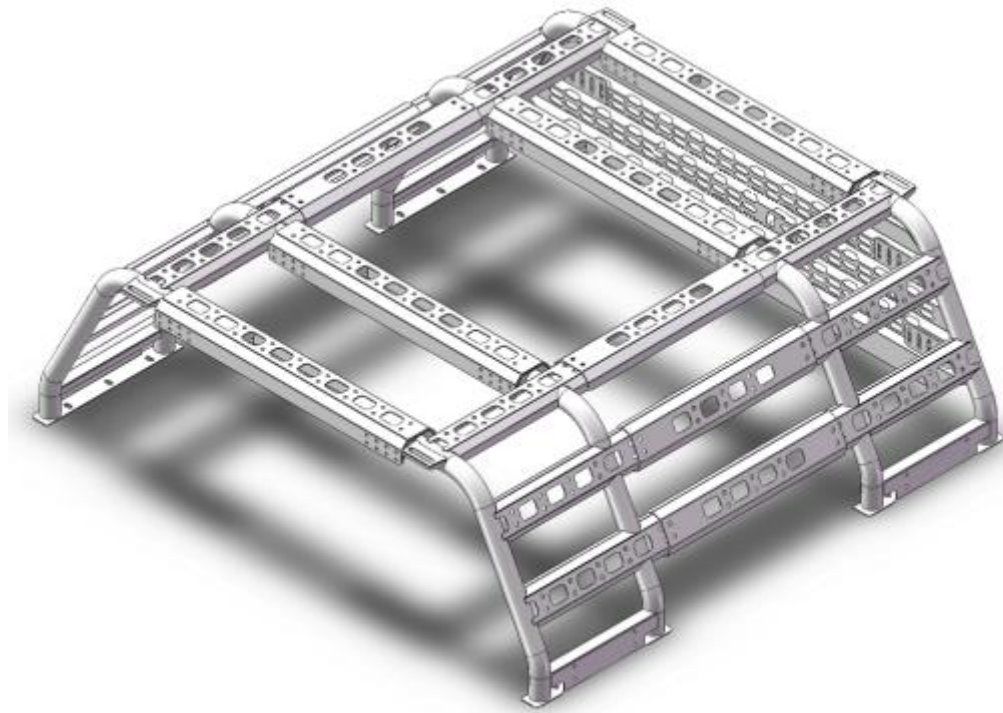

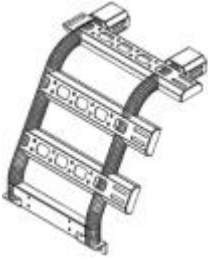
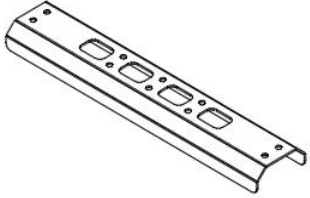
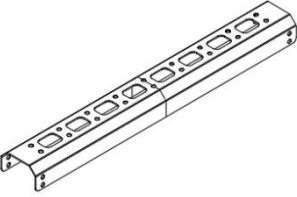
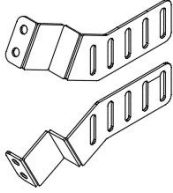
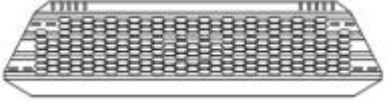



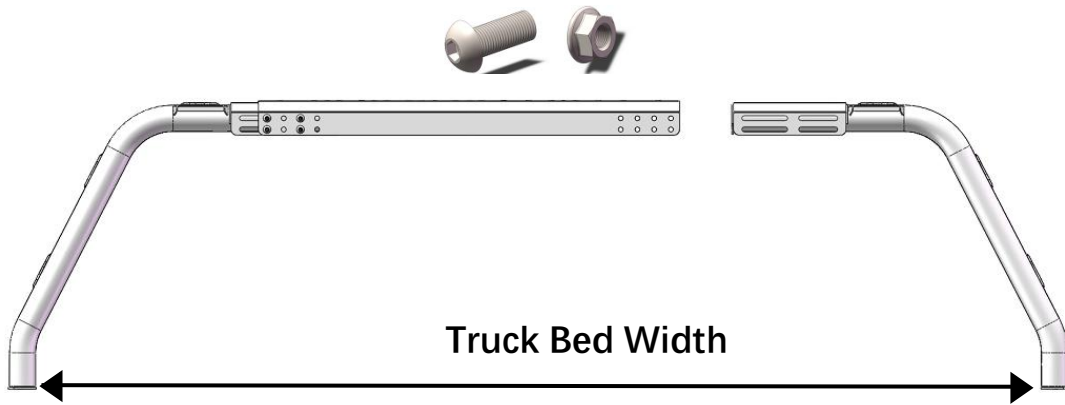
Adjustable Bed Rack For Universal Pickup



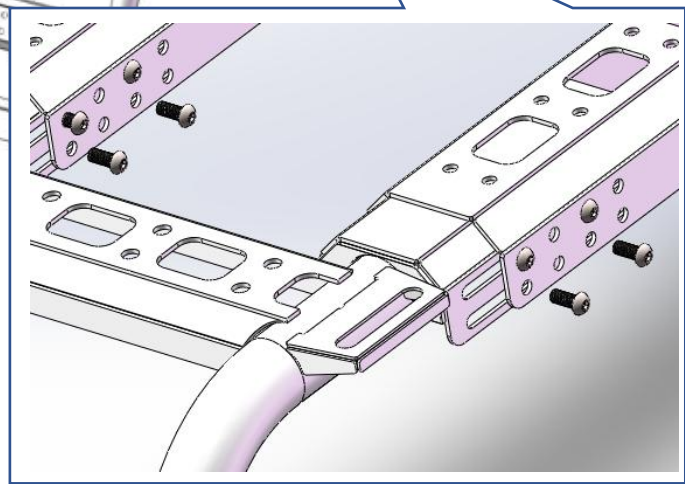
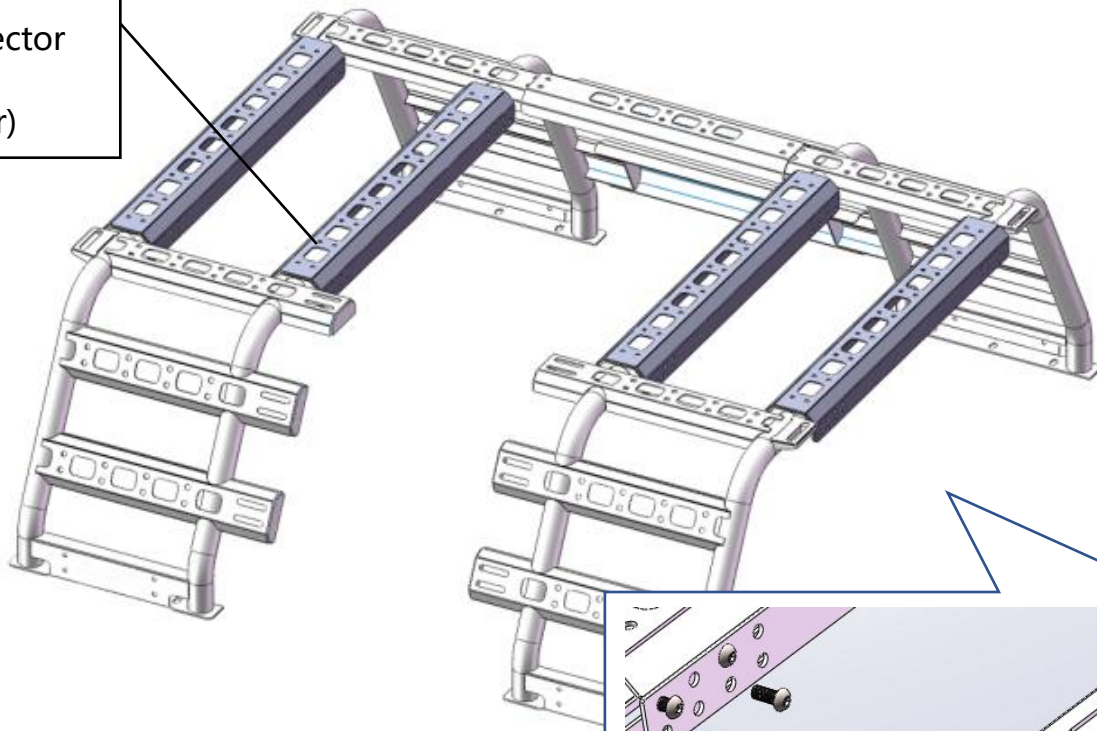
Accessories

<p>Front Support 1 Pair</p> 	<p>Front Support 1Pair</p> 	<p>Side Connector (Shorter)--6PCS</p> 
<p>Top Connector (Longer)--4PCS</p> 	<p>Connector for Back Window Protection 2 Pair(4 PCS) Stainless steel bolts (M8X20)-12 Sets</p> 	<p>Back Window Protection 1 PC</p> 
<p>Stainless steel bolts (M10X50)-12 Sets</p>	<p>Stainless steel bolts (M8X20)-56 Sets</p> 	

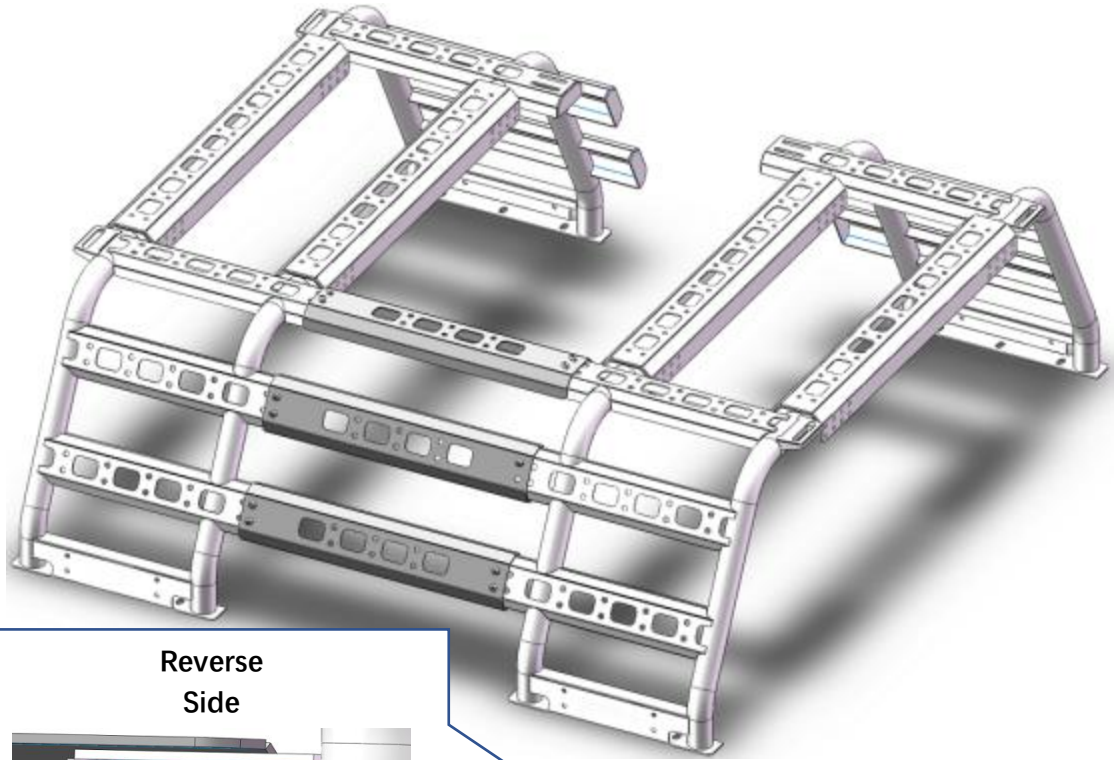
Measure the width of the truck bed and assemble the front and rear support with stainless steel (M8X20) screws according to the measured width.



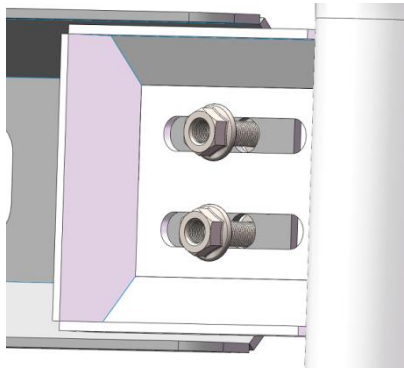
Top Connector
(Longer)



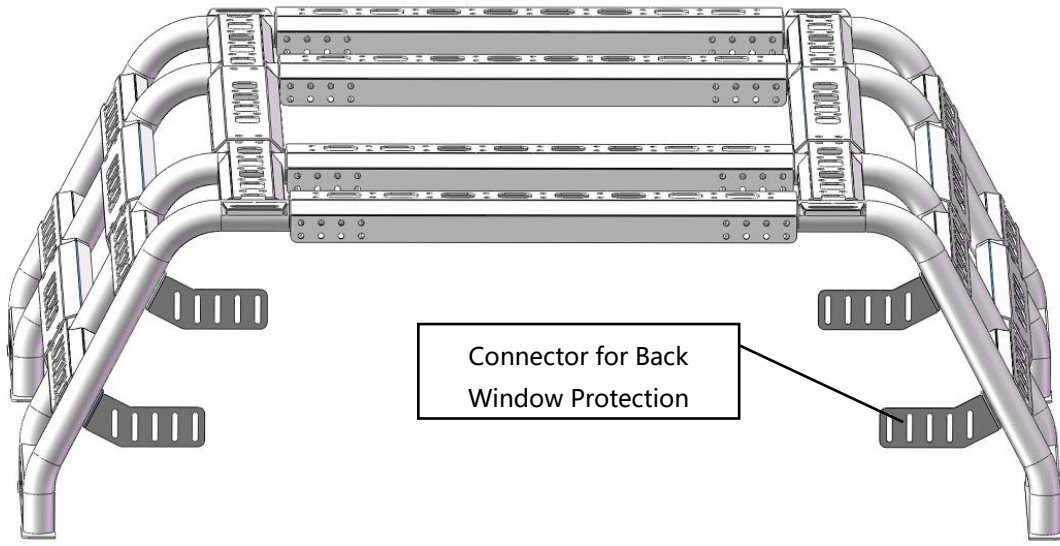
Install the Side Connector (Shorter)



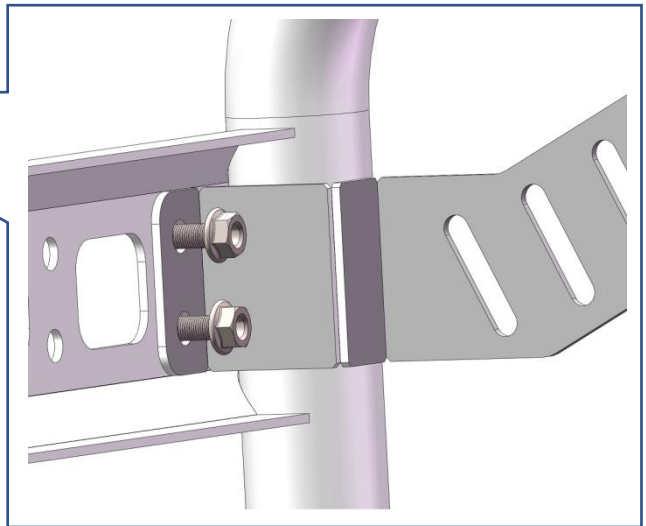
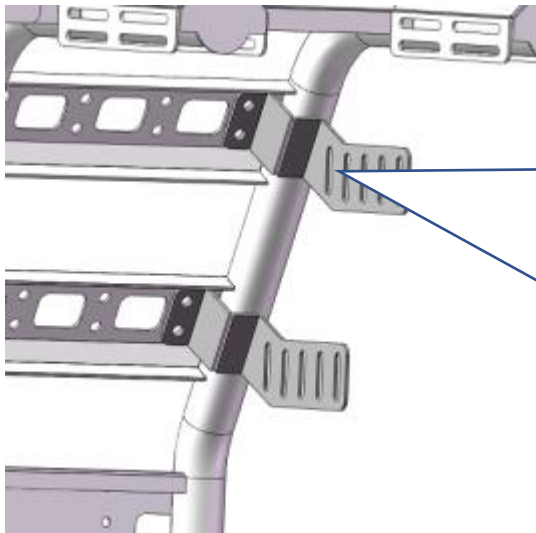
**Reverse
Side**



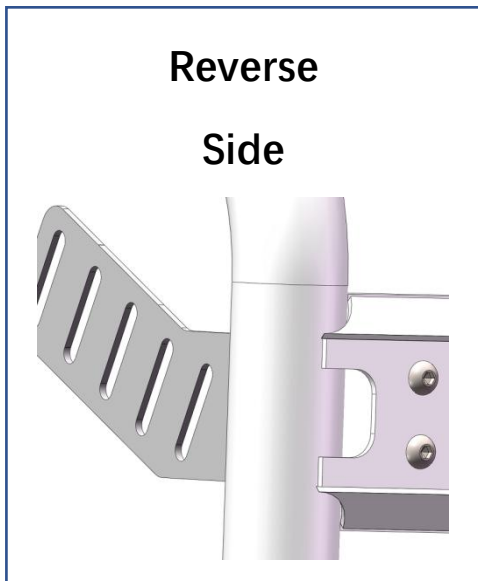
Install Connector of Back Window Protection



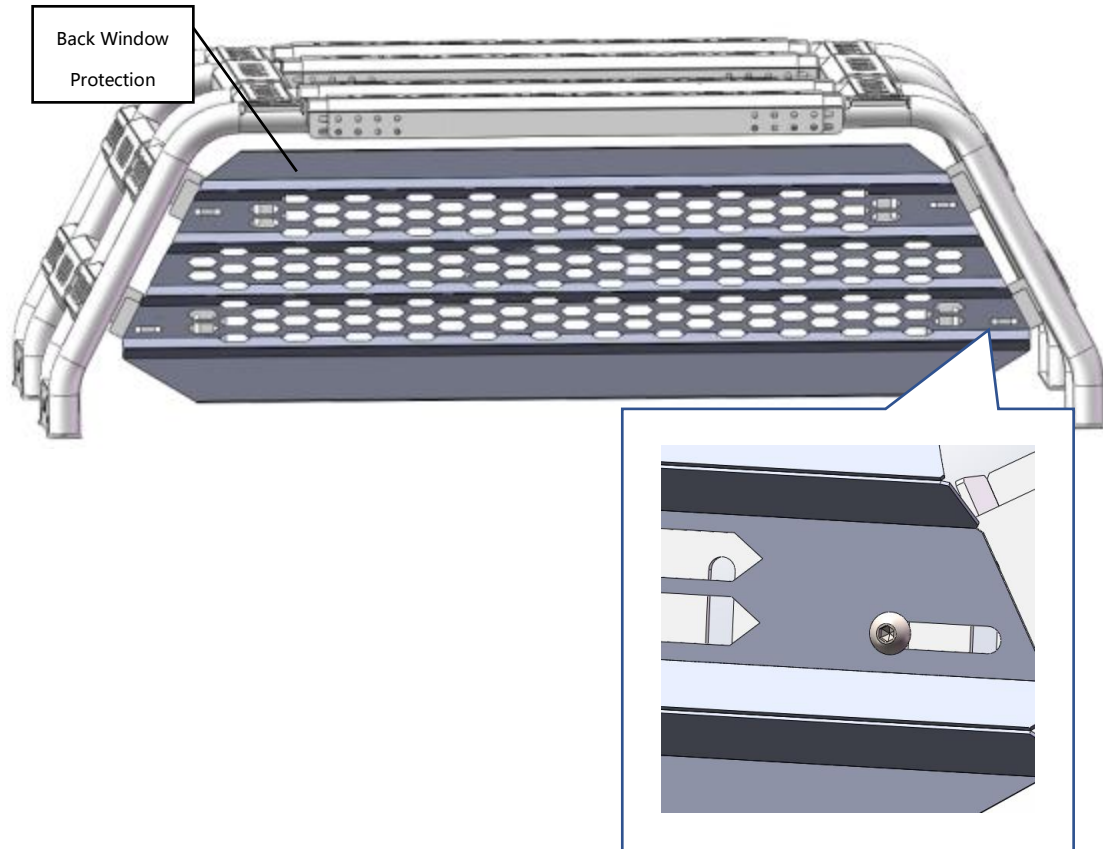
Connector for Back Window Protection



Reverse Side



Install Back Window Protection



1. After finishing the assembly, put the Bed Rack on the truck bed,
2. Confirm the position, mark the hole position of the front and rear support base with a marker,
3. Punch the holes with a diameter of 10mm drill
4. Install it with stainless steel bolts (M10X50).

